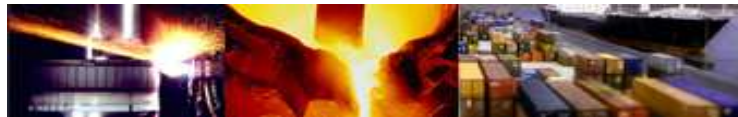




Mark & **aira** TRADING (L.L.C.)



COMPANY PROFILE

ABOUT US

Marck[®]
Industrial Valves

&

aira[®]
VALVE AUTOMATION
ISO 9001 CO.

ALL TYPE OF MANUAL VALVES



ALL TYPE OF PNEUMATIC VALVES



But this was back in 2004, when we had just started in the UAE...

WHAT WE OFFER CURRENTLY



1. **MARCK** – *All Kinds of Manual Gate, Globe, Check, and Ball Valves, Pressure Reducing Valves, Safety Valves, Strainers and Steam Traps.*



2. **AIRA** – *Valve Automation including Pneumatic Actuators, Control Valves, Solenoid Valves etc.*



3. **CAIR** – *Electrical Actuators and Motorized Valves.*



4. **AIRMAX** – *Pneumatic Cylinders, PU Pipes and Fittings, Filter-Regulator-Lubricator FRL, Namur type Solenoid Valves, and Hand lever Valves.*

WHAT WE OFFER CURRENTLY



5. HYDINT – *Moisture Separators, Pre-Filters* (for dust removal), and *Highly Efficient Micro-Fine Filters* (for oil, compressor lubricants, acidic condensates and hydrocarbon vapors removal).



6. SUZHUK – *Pressure Reducing Valves, Safety Valves, Wafer-type Disc Check Valves, and Drum type Valves.*



MANUFACTURING CAPABILITY

**>200 CNC
MACHINES
UNDER ONE
ROOF –
HIGHEST
IN STATE.**

CNC MACHINES

MANUFACTURING AREA : > 6500m²



APPROVALS:

- **ISO 9001:2008**
- **ISO 14001: 2004**
- **OHSAS 18001:2007**
- **API 600**
- **API 6D**
- **API 609**



MANUFACTURING CAPABILITY

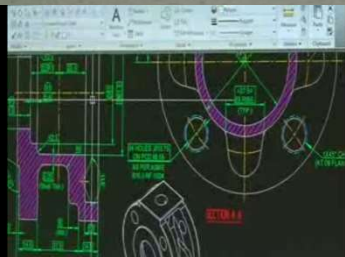
IN-HOUSE FOUNDRY:

- Induction & Cupola Furnaces
- Steel – 850 T/a + 600 T/a
- IC – 240 T/a
- Materials: Carbon Steel, SS, Alloy Steel, SG Iron, HRCS

FOUNDRIES

PATTERN SHOP

**IN HOUSE
DIE/MOULD &
PATTERN SHOP**



DESIGN DEPARTMENT



SKILLED WORKFORCE



**MATERIAL
TESTING &
INSPECTION
FACILITIES**

EVERYTHING FROM PROCUREMENT OF RAW MATERIALS TO DISPATCH INCLUDING MACHINING, TESTING, ASSEMBLING, LAPPING, FINISHING, INSPECTION AND PACKING ARE DONE IN-HOUSE – FOR QUALITY, DELIVERY AND COST CONTROL

PRODUCT RANGE - MARCK

Hawa Engineers Ltd.
An ISO 9001:2008 Certified Company

Investment Casting
Gate, Globe, Check Valves
& Strainer



1/2" to 48" &
150# to 2500#

Marck[®]
Industrial Valves

Hawa Engineers Ltd.
An ISO 9001:2000 Certified Company



Knife
Gate Valve

150# : 2" TO 32"

Marck[®]
Industrial Valves



BC40519

ISO 13095
CMC-07182176

PRODUCT RANGE - MARCK

Hawa Engineers Ltd.

SINGLE, TWO & THREE PIECE



FLOATING DESIGN
BALL VALVE

1/2" to 20" &
150# to 2500#



Marck[®]
Industrial Valves

Hawa Engineers Ltd.
An ISO 9001:2000 Certified Company

"Dual Plate Check Valve"
Valve with the high performance



1" TO 36"

Catalogue No. : 99



ISI-13095
CML-7182176

PRODUCT RANGE - AIRA



aira[®]
VALVE AUTOMATION
ISO 9001 CO.

**Handle / Worm
GEAR OPERATED
BUTTERFLY VALVES**

1 1/2" TO 72"

SERIES : B







aira[®]
VALVE AUTOMATION
ISO 9001 CO.

**2 Way
3 Way
4 Way
Ball Valves
Screwed / Flanged**

SERIES : A





PRODUCT RANGE - AIRA

Pneumatic Rotary Actuator

As Per ISO 5211

SERIES : A



- Aluminium & Stainless Steel Body
- Namur Standard Mounting
- Single & Double Acting Scotch and Yoke Actuator
- Torque Upto 1,10,380 Nm available
- Rotation - 90° & 180° Available
- Normal Temperature -20° to 80 °C
(High Temp. Upto 150 °C available)

UPTO 5000 Nm



Pneumatic Rotary Actuator

Operated Ball Valves

2 pc. / 3 pc. / Jacketed Design Available



Types of Valves Available

- 2 Way / 3 Way / 4 Way / 5 Way Screwed / Flanged
- Seals - PTFE / GFT / CFT / TFM / METAL TO METAL / PEEK
- Rating Upto 1500 Class
- Jacketed Valve with Replicable Seals Available
- MOC - WCB / CF8 / CF8M / CF3M
- Fire Safe Design Available



PRODUCT RANGE - AIRA



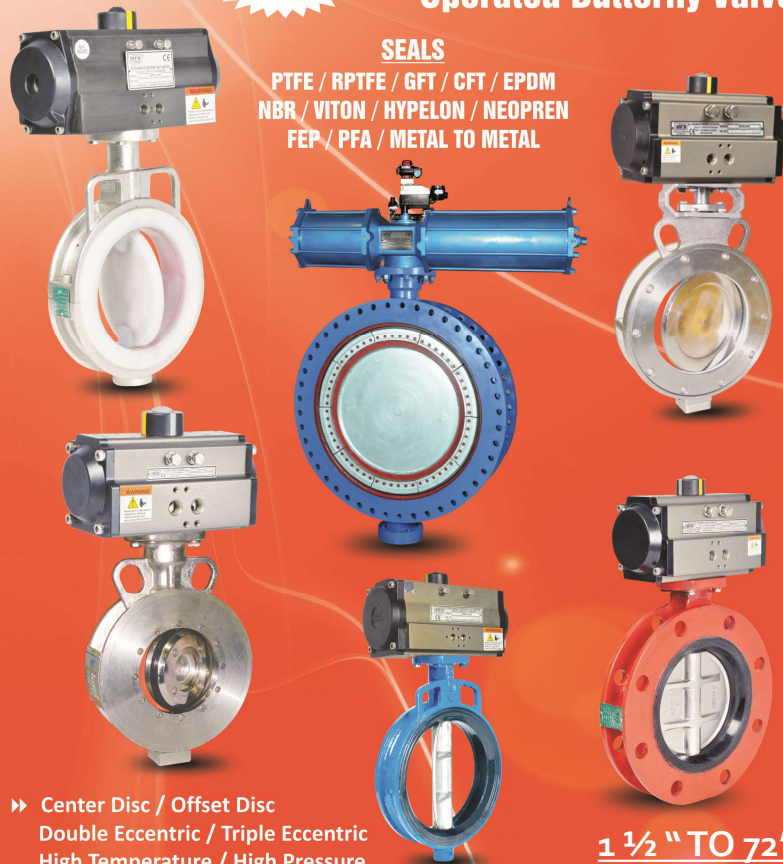
SERIES : C

**Pneumatic Rotary Actuator
Operated Butterfly Valve**

**FIRE SAFE
DESIGN**

SEALS

PTFE / RPTFE / GFT / CFT / EPDM
NBR / VITON / HYPOLON / NEOPREN
FEP / PFA / METAL TO METAL



- ▶ Center Disc / Offset Disc
- ▶ Double Eccentric / Triple Eccentric
- ▶ High Temperature / High Pressure
- ▶ Size Range : Upto 1.1/2" to 110" also available

1 1/2" TO 72"



**PNEUMATIC DIAPHRAGM &
CYLINDER OPERATED
CONTROL VALVES**

SERIES : D



VALVE AUTOMATION
ISO 9001 CO.



1/2" TO 12"



PRODUCT RANGE - AIRA



aira
VALVE AUTOMATION
ISO 9001 CO.

SERIES : E
Solenoid Valve

2/2 & 3/2 Way Solenoid Valves
High Pressure & High Temperature also available
Screwed / Flanged / T. C. End also available
Voltages : 12V, 24V, 48V, 110V, 230V, AC / DC
Coil Type : General / IP 65 & 67 / IS 2147
Flamproof / Weather Proof Terminal Junction Box
Intrinsically Safe Coil

¼" TO 6"




aira
VALVE AUTOMATION
ISO 9001 CO.

SERIES : F
Suzhik

Drum Type
of Control **Valves**

DESIGN
PATTERN
REGISTERED

P NEUMATIC ACTUATOR OPERATED
DRUM VALVE

E ELECTRIC ACTUATOR
OPERATED DRUM VALVE

S SOLENOID OPERATED DRUM VALVE



PRODUCT RANGE – AIRA/CAIR

aira[®]
VALVE AUTOMATION
ISO 9001 CO.

SERIES : G

Accessories

At the bottom of the page, there are several certification logos: ISO 9001, ISO 9000, CE, IBR, and others.

Cair[®]

Index Detail no.

Electric Actuators

| | | |
|----|------------|---|
| 07 | MOD SERIES | Single Phase 220 V AC Quarter Turn Actuator |
| 15 | ATQ SERIES | Three Phase 415 V AC Quarter Turn Actuator |
| 23 | ATM SERIES | Three Phase 415 V AC Multi - Turn Actuator |
| 31 | VO SERIES | Single Phase 220 V AC Linear Actuator |

actuate with accuracy

TVV IEC CE Ex

PRODUCT RANGE – CAIR

Electrical
Actuators & Valve
Automation



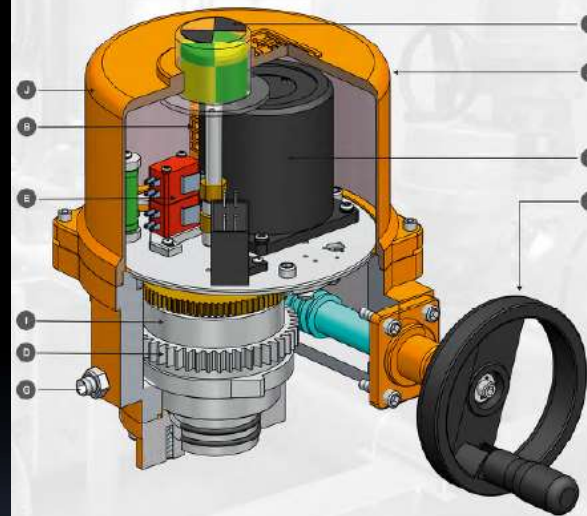
MOD SERIES

Single Phase Quarter Turn



MOD SERIES

Single Phase Quarter Turn



PRODUCT RANGE – CAIR

**Electrical
Actuators & Valve
Automation**



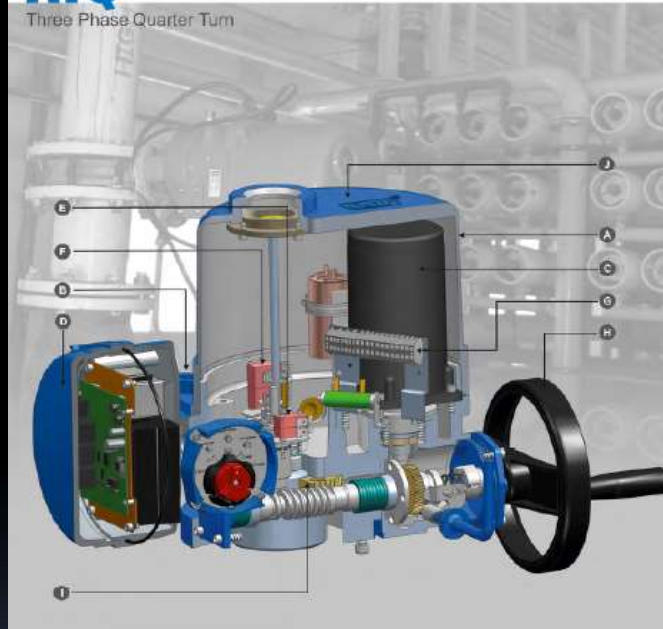
ATQ SERIES

Three Phase Quarter Turn



ATQ SERIES

Three Phase Quarter Turn



PRODUCT RANGE – CAIR

Electrical
Actuators & Valve
Automation



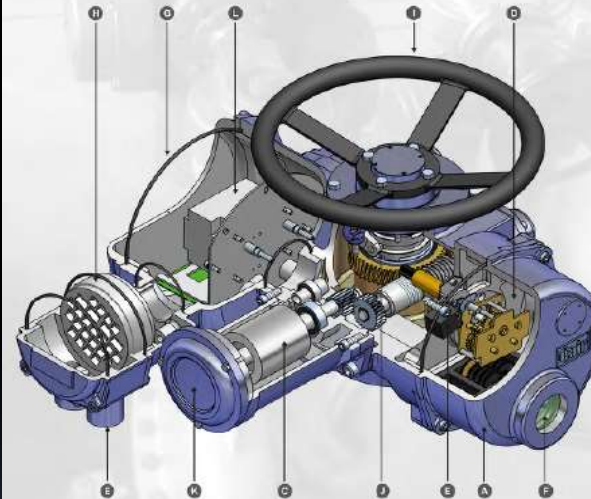
ATM SERIES

Three Phase Multi-Turn



ATM SERIES

Three Phase Multi-Turn



PRODUCT RANGE – CAIR

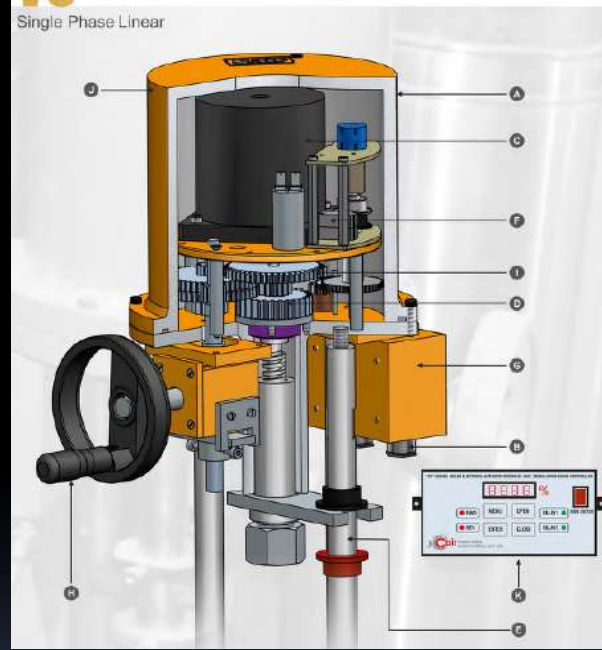
**Electrical
Actuators & Valve
Automation**



VO SERIES Single Phase Linear



VO SERIES Single Phase Linear



Additional Accessories can be provided for complete application support



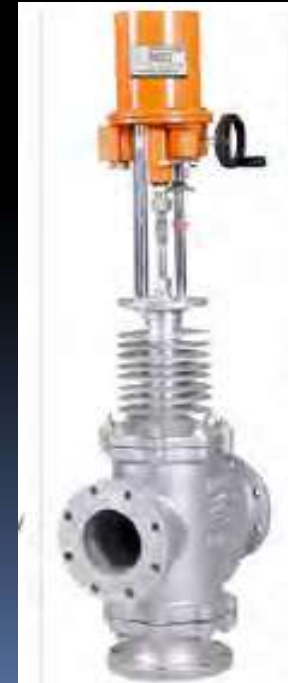
Interface Unit / Control Panel



PID Controller



RTD Sensor



PRODUCT RANGE - AIRMAX



Pneumatic Cylinders



Profile type hard anodized aluminium barrel
As per ISO 6451 / ISO 6452 / ISO 6453 / ISO 6454 / ISO 6455 standards.

**BORE SIZE: 25mm TO
600mm**

ANC



VNC



SMS



Airmax Pneumatics Ltd.



Compact ISO type Pneumatic Cylinders

Model : CCF



Profile type hard anodized aluminium barrel (Compact ISO type)
As Per ISO 21287 Standards.

Features

- Hard Anodized Aluminium Profile (Square) Cylinder Barrel
- Bore Size Ø32 to Ø100mm
- Compact Design
- Magnetic And Non Magnetic Cylinders
- Wide Range Of Mountings
- Magnetic Sensor Common For All Sizes

Double Acting Male



Model : CCM

Double Ended Male



Model : CCDM

Double Ended Female



Model : CCDF

Airmax Pneumatics Ltd.

PRODUCT RANGE - AIRMAX

JON MODEL : FRL UNIT



MODEL: JON-F+R+L

AIR PREPARATION UNITS



MODEL: JON-F



MODEL: JON-R



MODEL: JON-L



MODEL: JON-FRC



MODEL: JON-FR+L

Airmax Pneumatics Ltd.



ROTO SEAL COUPLING

- ▶ S.S. 304 / S.S. 316 Investment Cast Body & Shaft
- ▶ Size: 1/4" to 2" Screwed
- ▶ Single & Double / Dual connection available
- ▶ High Performance Seals with fine lapped
- ▶ Different types of model as per application
 1. Normal
 2. Chilled Water
 3. High Temperature

www.airmaxindia.com

Airmax Pneumatics Ltd.

PRODUCT RANGE - SUZHNIK



 Suzhnik



PRESSURE REDUCING VALVE for Air, Water, Oil, Gas, Steam & Chemicals

- ▶ Direct Activated
- ▶ With Internal Balancing Line
- ▶ Pressure Sustaining Back Pressure
- ▶ Stainless Steel Investment Cast

IBR
Approved



aira *EURO* automation pvt. ltd.



 Suzhnik

the
Quality Solution
to
Industries...

Silent Safety Valve

- Advance Combination Angle type
Silent Safety Valve
for Third Generation Process Industries
- Stainless Steel / CF8 / CF8M / CF3M
Body Available On Request.
- Media: Air, Water, Oil, Gas, Steam Chemicals etc...
Temp: 80° C for Water
200° C for Steam
Press: 21 kg/cm²
0.5 to 21 kg/cm²
- Ends : Screwed / Flanged



aira *EURO* automation pvt. ltd.
ISO 9001:2000 Certificated Co.

PRODUCT RANGE - HYDINT



**MOISTURE SEPARATOR
COMPACT DESIGN**



FIRST TIME IN INDIA
WITH IMPORTED CARTRIDGE

Aluminium
Die Cast
In-built
Lip Drain Bowl

ACCESSORIES



Manual Drain Bowl with Guard



Auto Drain Valve - Standard



Auto Drain Valve - Adjustable



1st
time in India
Multifunction Digital Electronic
Timer Base
**Auto Drain
Valve**



Applications :

- ▶ Moisture Separator / Air Drayer / Compressor
- ▶ Solenoid Valves for Automation Discharge Condensate
- ▶ Sampling - Gas and Liquids.
- ▶ Automatic Lubrication Systems.



Airmax Pneumatic Ltd.

CERTIFICATIONS



CERTIFICATE

Management system as per
ISO 9001 : 2008

In accordance with TÜV NORD CERT procedures, it is hereby certified that

HAWA ENGINEERS LTD.
UNIT I : Behind Police Chowky, Chandola,
Ahmedabad - 380 028, Gujarat
UNIT II : 129, B/h. Kashiram Textile Mill,
Narol, Ahmedabad - 382 405, Gujarat,
India



applies a management system in line with the above standard for the following scope

Design, Manufacture and Supply of Industrial Valves

Certificate Registration No. 04 100 960515
Audit Report No. 2.5-29/2000

Valid until 18.01.2018
Valid from 19.01.2015
Initial certification 25.11.1996

Certification Body
at TÜV NORD CERT GmbH

Issue 13.01.2015
Place : Mumbai

This certification was conducted in accordance with the TÜV NORD CERT auditing and certification procedures and is subject to regular surveillance audits.

TÜV NORD CERT GmbH Langemarkstrasse 20 45141 Essen www.tuev-nord-cert.com
TUV India Pvt. Ltd., 801, Raheja Plaza - 1, L.B.S. Marg, Ghatkopar (W), Mumbai - 400 086, India www.tuvindia.co.in



CERTIFICATE

Management system as per
ISO 14001 : 2004

In accordance with TÜV NORD CERT procedures, it is hereby certified that

HAWA ENGINEERS LIMITED- UNIT- II
129, B/h. Kashiram Textile Mill, Narol,
Ahmedabad- 382 405, Gujarat,
India



applies a management system in line with the above standard for the following scope

Design, Manufacture and Supply of Industrial Valves

Certificate Registration No. 44 104 15390584
Audit Report No. 2.5-29/2000

Valid until 04.05.2018

Certification Body
at TÜV NORD CERT GmbH

Issue 05.05.2015
Place : Mumbai

This certification was conducted in accordance with the TÜV NORD CERT auditing and certification procedures and is subject to regular surveillance audits.

TÜV NORD CERT GmbH Langemarkstrasse 20 45141 Essen www.tuev-nord-cert.com
TUV India Pvt. Ltd., 801, Raheja Plaza - 1, L.B.S. Marg, Ghatkopar (W), Mumbai - 400 086, India www.tuvindia.co.in



CERTIFICATIONS



CERTIFICATE

Management system as per
BS OHSAS 18001 : 2007

In accordance with TÜV NORD CERT procedures, it is hereby certified that

HAWA ENGINEERS LIMITED- UNIT- II
129, B/h. Kashiram Textile Mill, Narol,
Ahmedabad- 382 405, Gujarat,
India



applies a management system in line with the above standard for the following scope

Design, Manufacture and Supply of Industrial Valves

Certificate Registration No. 44 116 15390584
Audit Report No. 2.5-29/2000

Valid until 04.05.2018

S.K. Kulkarni

Certification Body
at TÜV NORD CERT GmbH

Issue 05.05.2015
Place : Mumbai

This certification was conducted in accordance with the TÜV NORD CERT auditing and certification procedures and is subject to regular surveillance audits.

TÜV NORD CERT GmbH Langemarckstrasse 20 45141 Essen www.tuev-nord-cert.com

TUV India Pvt. Ltd., 801, Raheja Plaza - 1, L.B.S. Marg, Ghatkopar (W), Mumbai - 400 086, India www.tuvinindia.co.in



CERTIFICATIONS



**American
Petroleum
Institute**



2015-313

Certificate of Authority to use the Official API Monogram

License Number: 6D-1672

ORIGINAL

The American Petroleum Institute hereby grants to

HAWA ENGINEERS LIMITED
Plot No. 129, B/H. Kashiram Textile Mill
Narol Road
Ahmedabad, Gujarat
India

the right to use the Official API Monogram® on manufactured products under the conditions in the official publications of the American Petroleum Institute entitled API Spec Q1® and **API-6D** and in accordance with the provisions of the License Agreement.

In all cases where the Official API Monogram is applied, the API Monogram shall be used in conjunction with this certificate number: **6D-1672**

The American Petroleum Institute reserves the right to revoke this authorization to use the Official API Monogram for any reason satisfactory to the Board of Directors of the American Petroleum Institute.

The scope of this license includes the following: Gate Valves, Plug Valves, Ball Valves and Check Valves

QMS Exclusions: No Exclusions Identified as Applicable

Effective Date: SEPTEMBER 14, 2016

Expiration Date: SEPTEMBER 14, 2019

To verify the authenticity of this license, go to www.api.org/compositelist.

Vice President, API Global Industry Services

CERTIFICATIONS



**American
Petroleum
Institute**



2015-313

Certificate of Authority to use the Official API Monogram

License Number: 609-0055

ORIGINAL

The American Petroleum Institute hereby grants to

AIRA EURO AUTOMATION PRIVATE LIMITED
Plot No.123-124, Aira Estate, B/h. Security Estate
Nr. Kashiram Textile Mills, Narol Road
Ahmedabad, Gujarat
India

the right to use the Official API Monogram[®] on manufactured products under the conditions in the official publications of the American Petroleum Institute entitled API Spec Q1[®] and **API-609** and in accordance with the provisions of the License Agreement.

In all cases where the Official API Monogram is applied, the API Monogram shall be used in conjunction with this certificate number: **609-0055**

The American Petroleum Institute reserves the right to revoke this authorization to use the Official API Monogram for any reason satisfactory to the Board of Directors of the American Petroleum Institute.

The scope of this license includes the following: Butterfly Valves - Category A and Butterfly Valves - Category B

QMS Exclusions: No Exclusions Identified as Applicable

Effective Date: JANUARY 17, 2015

Expiration Date: JANUARY 17, 2018

To verify the authenticity of this license, go to www.api.org/compositelist.

Vice President, API Global Industry Services

CERTIFICATIONS



**American
Petroleum
Institute**



2015-313

Certificate of Authority to use the Official API Monogram

License Number: 600-0256

ORIGINAL

The American Petroleum Institute hereby grants to

**HAWA ENGINEERS LIMITED
Plot No. 129, B/H. Kashiram Textile Mill
Narol Road
Ahmedabad, Gujarat
India**

the right to use the Official API Monogram® on manufactured products under the conditions in the official publications of the American Petroleum Institute entitled API Spec Q1® and **API-600** and in accordance with the provisions of the License Agreement.

In all cases where the Official API Monogram is applied, the API Monogram shall be used in conjunction with this certificate number: **600-0256**

The American Petroleum Institute reserves the right to revoke this authorization to use the Official API Monogram for any reason satisfactory to the Board of Directors of the American Petroleum Institute.

The scope of this license includes the following: Bolted Bonnet Steel Gate Valves

QMS Exclusions: No Exclusions Identified as Applicable

Effective Date: SEPTEMBER 14, 2016

Expiration Date: SEPTEMBER 14, 2019

To verify the authenticity of this license, go to www.api.org/compositelist.

Vice President, API Global Industry Services

CERTIFICATIONS



EUROPEAN INSPECTION AND CERTIFICATION COMPANY S.A.
CERTIFICATE OF FULL QUALITY ASSURANCE FOR PRESSURE EQUIPMENT
 ACCORDING TO EUROPEAN DIRECTIVE 97/23/EC (MODULE H)

CERTIFICATE No.: PEMH.0016

THIS IS TO CERTIFY THAT EURO CERT S.A. HAS ASSESSED WITH SATISFACTORY RESULTS
 THE QUALITY ASSURANCE SYSTEM OF THE FOLLOWING MANUFACTURER

AIRA EURO AUTOMATION PVT. LTD.

Plot No. 123-124, Aira Estate, Behind Security Estate, Near Kachhiwadi Trade Park, Near Road, Ahmedabad - 382 405, Gujarat, India

*DESCRIPTION OF PRESSURE EQUIPMENT:
 INDUSTRIAL BALL VALVES
 *INDEX TO THIS CERTIFICATE

CATEGORY OF PRESSURE EQUIPMENT:
 III

AGAINST THE PROVISIONS OF:
 EUROPEAN PRESSURE EQUIPMENT DIRECTIVE
 97/23/EC, ANNEX II (MODULE H)

THIS CERTIFICATE IS VALID FOR THE FOLLOWING SCOPE:
 DESIGN AND PRODUCTION OF INDUSTRIAL VALVES

CONDITIONS AND LIMITATIONS

Each pressure equipment should be accompanied with manufacturer's declaration of conformity and instructions of use.
 The manufacturer must keep the notified body informed of any intended updating of the quality assurance system.
 The manufacturer must affix the CE Marking and Eurocert's Identification No. to each item of pressure equipment as displayed below:



This Certificate is valid till 08/08/2017 subject to satisfactory annual surveillance.

AUDIT REPORT NO.:
 PEMH.0016AR

Approved on behalf of the Certification Body

 DIMITRIOS
 DIRECTOR OF DEVELOPMENT

Please check the validity of the certificate from our website using the password **ndj7a5c0**

The data of this certificate were gathered with every possible thoroughness.
 This certificate reflects the findings of the time and place of the audit.
 Reproduction of this document is strictly forbidden.



89, CHLOS STR. & LIKOVISEOS, 144 52 METAMORFOSI ATHENS, GREECE
 Tel: ++30 210 62.52.495, 30 210 62.53.927 - Fax: ++30 210 62.03.018
 Internet site: www.eurocert.gr - e-mail: eurocert@otenet.gr

01/13.18/E08/30-05-2014
 Page 1 of 2



EUROPEAN INSPECTION AND CERTIFICATION COMPANY S.A.
ANNEX - PEMH.0016

DESCRIPTION OF PRESSURE EQUIPMENT
PRODUCT NAME: - INDUSTRIAL BALL VALVES

| Sr. no | Description | Size Range | Class |
|--------|--|--|----------------|
| 1 | 2 pc 2/way (VGO) Flange End | 15 mm to 300 mm | 150#,300#,600# |
| 2 | 2 pc C/way Flange End | 15 mm to 200 mm | 150# |
| 3 | 2 pc C/way Screw End | 15 mm to 80 mm | 150# |
| 4 | 2 pc 2/way wafer type | 25 mm to 100 mm | 150# |
| 5 | 2 pc 2/way Jacketed | 25 mm to 100 mm | 150# |
| 6 | 2 pc 2/way PFA/FEP lined Flange End | 15 mm to 200 mm | 150# |
| 7 | 3 pc 2/way Flange End | 15 mm to 350 mm | 150#,300# |
| 8 | 3 pc 2/way Screw End | 15 mm to 100 mm | 150# |
| 9 | 3 pc 2/way TC End | 15 mm to 100 mm | 150# |
| 10 | 3 pc 2/Way Butt weld End | 15 mm to 80 mm | 150# |
| 11 | 3 pc 2/way Metal To Metal Flange End | 15 mm to 250 mm | 150#,300# |
| 12 | 3 pc 2/way Metal To Metal Screw End | 15 mm to 100 mm | 150# |
| 13 | 3 pc 2/way Reduced Bore Flange End | 20 mm/port 15 mm to 300 mm/port 250 mm | 150# |
| 14 | 3/way,4/way,5/way X-port,T-port, L-port Flange End | 15 mm to 300 mm | 150#,300# |
| 15 | 3/way,4/way,5/way X-port,T-port, L-port Screw End | 15 mm to 100 mm | 150# |
| 16 | 3/way,4/way,5/way X-port,T-port, L-port TC End | 15 mm to 50 mm | 150# |

Approved on behalf of the Certification Body

 DIMITRIOS
 DIRECTOR OF DEVELOPMENT

89, CHLOS STR. & LIKOVISEOS, 144 52 METAMORFOSI ATHENS, GREECE
 Tel: ++30 210 62.52.495, 30 210 62.53.927 - Fax: ++30 210 62.03.018
 Internet site: www.eurocert.gr - e-mail: eurocert@otenet.gr



AREAS WE WORK IN



We cater to a wide spectrum of users in various industries that include but are not limited to :

- Process and Chemical Industries
- Refineries and Petrochemicals
- Fertilizer Industries
- Drugs and Pharmaceutical Industries
- Thermal Power Stations
- Nuclear Power Stations
- Textile Industries
- Dye and Intermediate Industries
- Paint and Varnishes Industries
- Food and Oil Industries
- Effluent and Water Treatment Plants
- Sewage Plants
- Cooling Water Plants
- Ship Yards and Marine Management
- Pulp and Paper Industries



شركة تطوير حقل زاكوم (زادكو)
Zakum Development Company (ZADCO)



Oman Refineries
and Petrochemicals
Company LLC

هيئة كهرباء ومياه دبي
Dubai Electricity & Water Authority



DUBAI OFFICE DETAILS

| | | |
|---|--|----------------------------------|
| Full Name of the Company : Mark & Aira Trading LLC | | مارك آند إيرا للتجارة ذ.م.م، دبي |
| Date Established | : 24.01.2004 | |
| Incorporated In | : UAE (Dubai) | |
| Registered Address | | |
| Area | Umm Ramool | |
| Street | Plot 215-461, Shade No 09 | |
| Emirate/District | Dubai | |
| P.O Box /ZIP | 90478 | |
| Telephone | 04-2880271 | |
| Fax | 04-2853580 | |
| Email 1 | hazaengg@emirates.net.ae | |
| License Number | 552940 | |
| Registration Number | 1022837 | |
| Issue Date | 24.01.2004 | |
| Expiry Date | 23.01.2020 | |
| Issuing Authority | Department of Economic Development, Govt. of Dubai | |
| Location | Dubai | |

*We keep **Ready Stock** for most products and also provide **Repair and Maintenance Services**.

WHY MARK & AIRA?

- A REPUTED MANUFACTURER, AVAILABLE LOCALLY.
- ONE SUPPLIER, MULTIPLE PRODUCTS – VAST PRODUCT RANGE.
- READY STOCK FOR URGENT REQUIREMENTS.
- ABILITY TO MANUFACTURE CUSTOM MADE VALVES.
- AFTER-SALES SERVICE AND REFURBISHMENT FACILITIES.
- BETTER DELIVERY TIME .

*We keep **Ready Stock** for most products and also provide **Repair and Maintenance Services**.

CONTACT DETAILS



MARK & AIRA TRADING LLC.
INDUSTRIAL VALVES MANUFACTURERS AND
SUPPLIERS
EST: 2004, DUBAI, UAE.

Address : PO Box No. 90478,
S/H 09, Plot no. 215-461
Umm Ramool,
Al Rashidiya,
Dubai – U.A.E.

Telephone : +971-4-2880271/242/361

Fax : +971-4-2853580

E-mail : hazaengg@emirates.net.ae

Website : www.marckaira.com

